

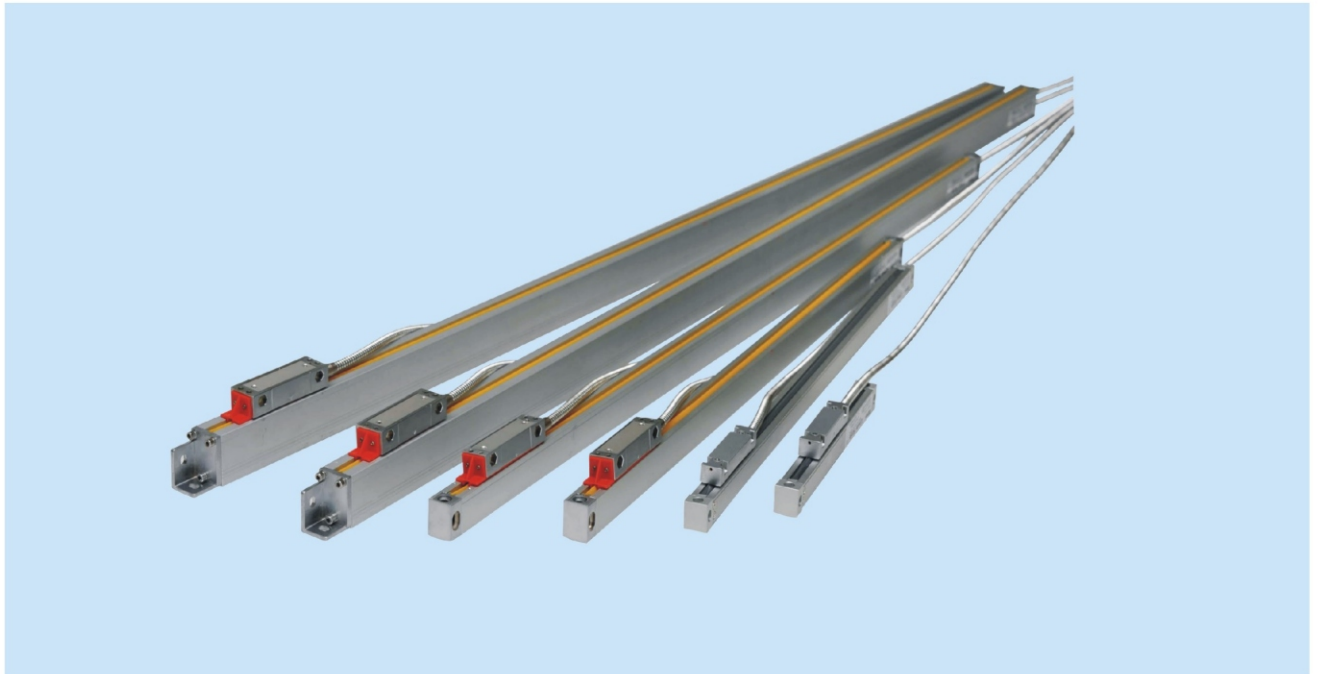
LINEAR SCALE

Key Features

- Resolution: 0.1/0.5/1/5/10μm
- Accuracy: $\pm 3/\pm 5/\pm 10 \mu\text{m}$ (20° C/68° F)
- The grating period: 20μm optical linear scale.
- Grating system: The transmissive and infrared optical measuring system, the infrared wave length is 880nm.
- Reading head sliding system: vertical or 45° five precision bearing system

DC Series Linear Scale Parameter Sheet

Type	DC10F	DC10	DC20	DC30
Measure Length(mm)	50–600	50–1100	50–3000	50–1200
Cross section(mm)	18x23	20.5x31	27x44	24x35
Reference Point	50mm or 100mm /piece			
Accuracy (μ m)	$\pm 3/\pm 5/\pm 10/1000\text{mm}$ (20°C, 68°F)			
Max. Moving Speed	60M/Min			
Sealing Protection	IP55			
Output signal	TTL/RS-422	TTL/RS-422/1VPP	TTL/RS-422/1VPP	TTL/RS-422/1VPP
Resolution(μ m)	0.5/1/5	0.1/0.5/1/5/10	0.1/0.5/1/5	0.1/0.5/1/5
Voltage	5V	5V/12V/24V	5V/12V/24V	5V/12V/24V



LINEAR SCALE SIGNAL WIRING DIAGRAM

Linear Scale: Nine-pin TTL Signal Output Diagram

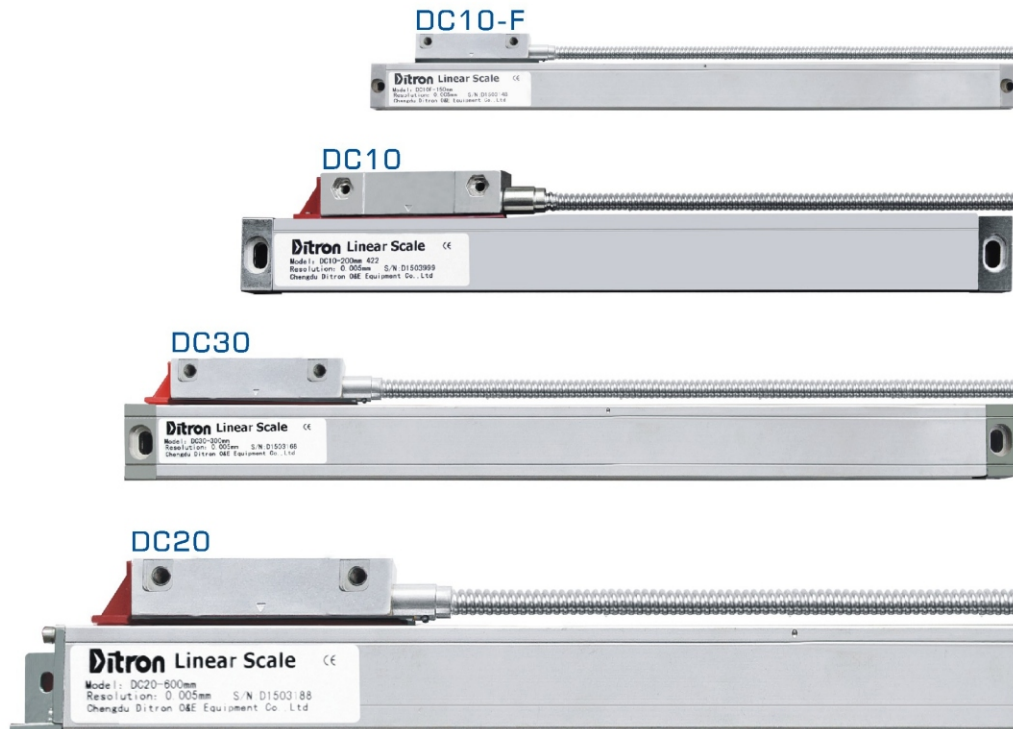
Pin	1	2	3	4	5	6	7	8	9
Signal	Empty	0V	Empty	Shield	empty	A	+5V	B	R
Color		Black		Shielding		Yellow	Red	Green	Brown

Linear Scale: Nine-pin RS-422 Signal Output Diagram

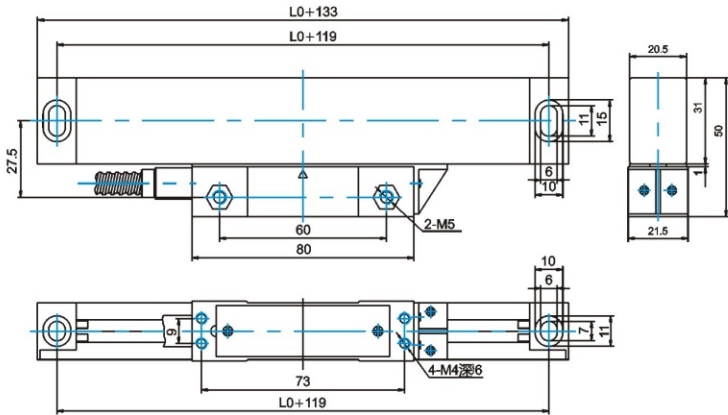
Pin	1	2	3	4	5	6	7	8	9
Signal	A-	0V	B-	Shield	R-	A	+5V	B	R
Color	Orange	Black	Blue	Shielding	White	Yellow	Red	Green	Brown

Linear Scale: Seven-pin TTL Signal Output Diagram

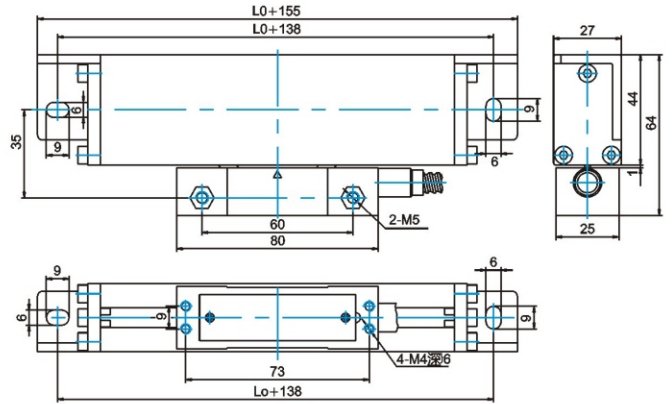
Pin	1	2	3	4	5	6	7
Signal	0V	Empty	A	B	+5V	R	Shield
Color	Black		Yellow	Green	Red	Brown	Shielding



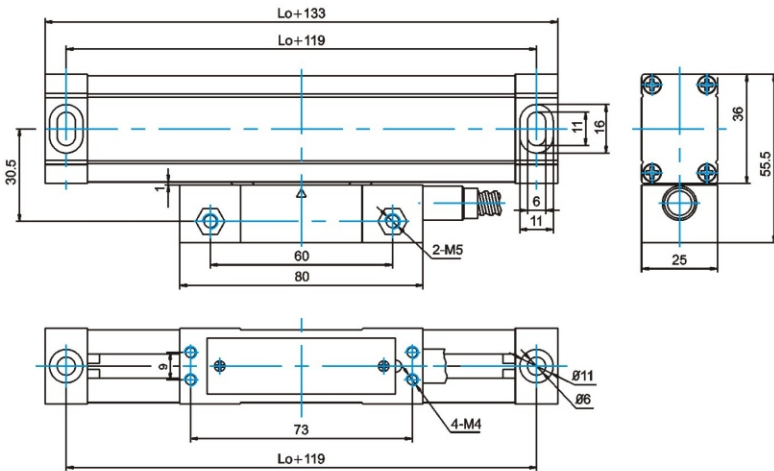
▮ DC 10 Series Dimension Drawing



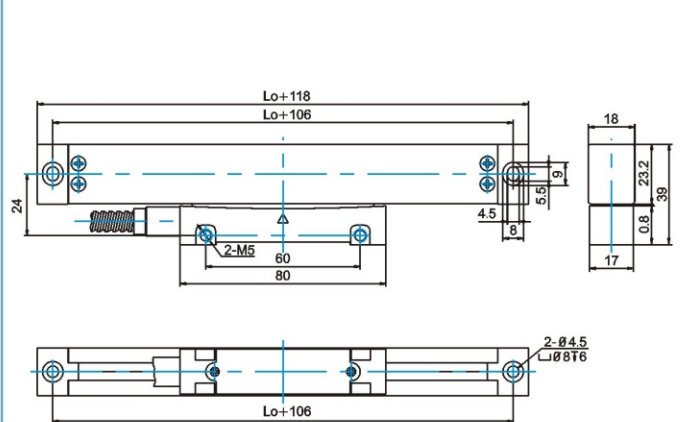
▮ DC 20 Series Dimension Drawing



▮ DC 30 Series Dimension Drawing



▮ DC 10F Series Dimension Drawing



D30 SERIES OF MICRO-DISPLACEMENT SENSOR

▮ Specifications:

- Measure range: 0–15mm, 0–30mm
- Maximum speed: 300mm / S
- Measuring force: <2.5N
- Operating Temperature: 10°C–40°C
- Storage Temperature: 0°C–55°C
- Standard cable length: 2m
- Output signal: TTL
- Voltage: +5V/+12V/+24V

