



► Magnetic Scale

The DM series contactless magnetic scale measuring system get slim dimension which is simple to install. It matches IP 67 protection degree and get excellent performance to resist the oil, dust, dirt.. etc. The best choice to work under adverse condition.

► Feature:

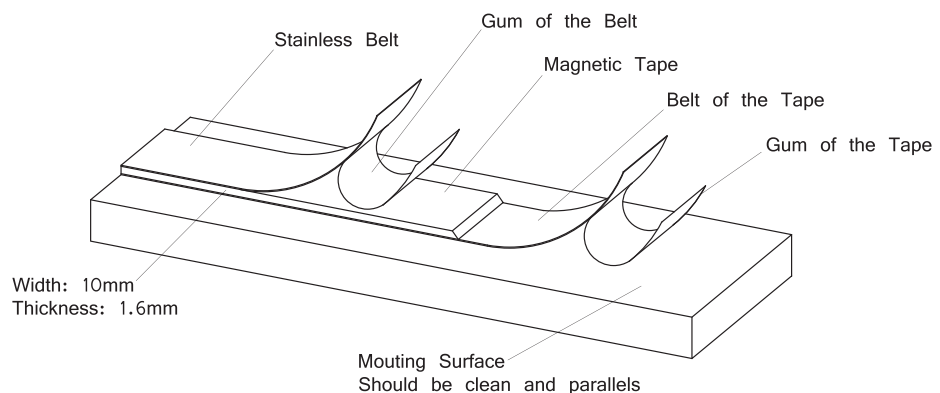
- 1. Match IP67 protection degree
- 2. Advanced technics and inner structure, 2 years warranty against all working condition
- 3. Automatic gain control technics, reduced the requirement for installation. The gap between the reader and tape can be 3mm (5 micron).
- 4. Protection of the anti-pole of the power and wrong wire connection (voltage < 5.5V)
- 5. High Speed, can reach 150 Meters/Minute for the resolution of 5 micron

► Technical Parameter:

Voltage:	4.7V to 7.5V (The range of anti-pole and over-voltage protection: -16V-+16V)
Supply current:	< 35mA
Cable Voltage-drop:	~4.8mV/m-without load ~12.5mV/m-with 120Ω load
Output signal:	RS422
Signal Level:	UH ≥ 2.5V at IH=20mA UL ≤ 0.5V at IL=20mA
Temperature:	working: -10°C-+80°C Storage: -40°C-+85°C
Resolution:	0.01mm, 0.005mm, 0.001mm
Accuracy:	±0.02mm/M
Repeat Accuracy:	1 pulse
Maximum cable length:	200M

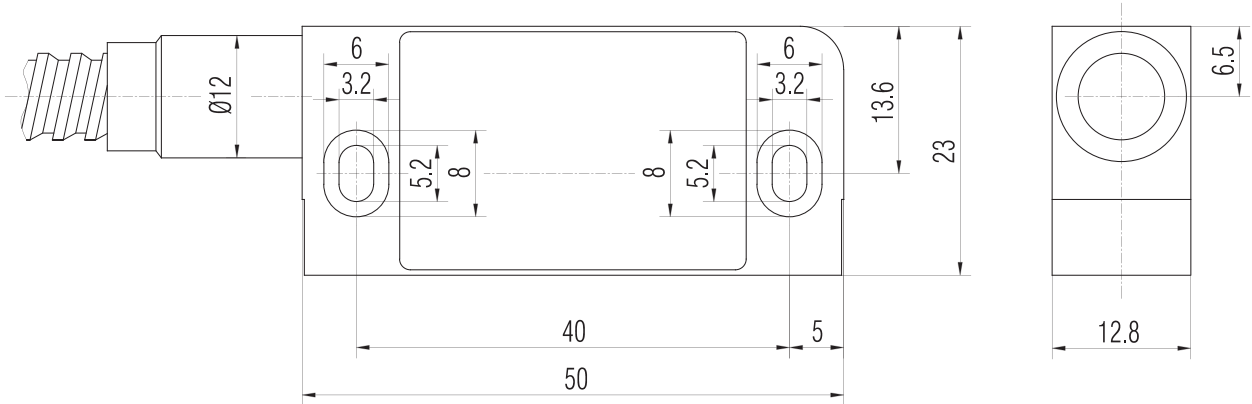


MS500

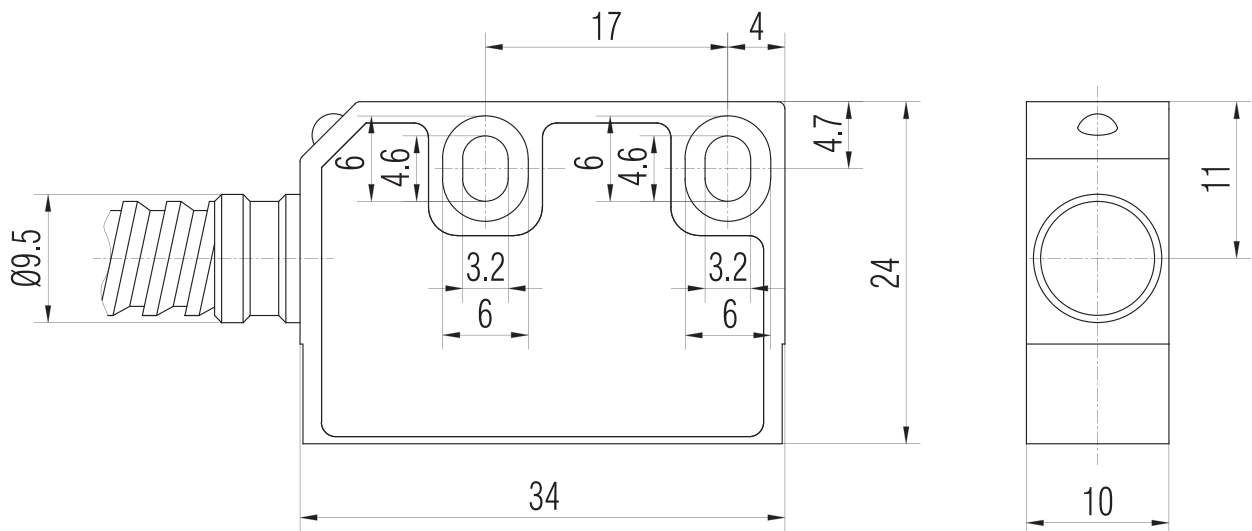




DMR5000



DMR500



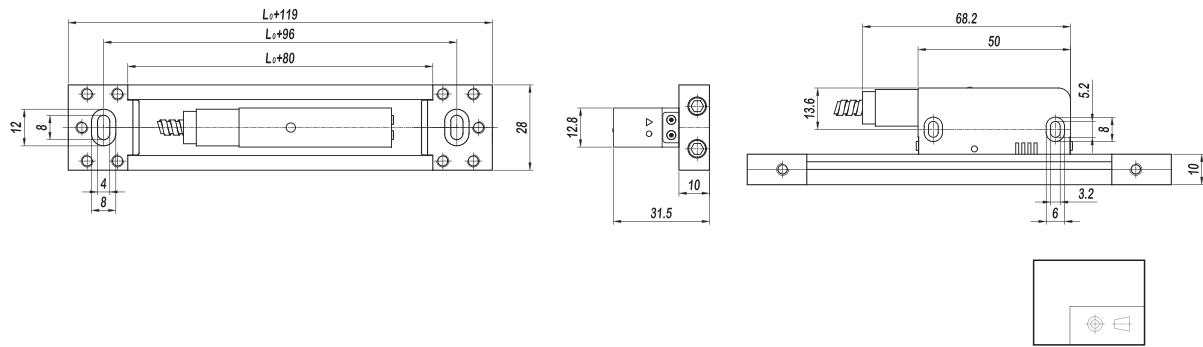


► Features(DM-A)

- Fully sealed readhead with perfect structure of the profile makes it match IP67 protection class.
- With the tableting inserted two sides of the profile makes the installation have more choices.
- 5 holes laid on the each end cap for adjustment makes the installation be much easier.
- Rs422 full differential signal
- Special profile connecting way with the needle,flexible to install.
- Full kinds of installing brackets

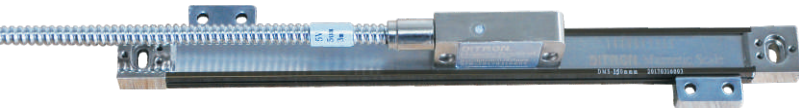


DM-A

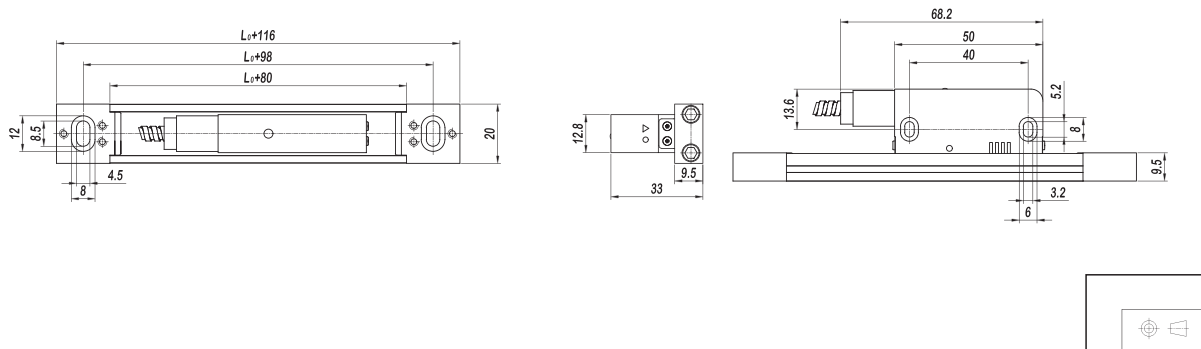


► Features(DM-S)

- Very slim dimension,the best choice for the cross slide of lathe and the application where the space is restricted.
- Installing brackets inserted into the profile makes the installing be easy.
- Rs422 full differential signal
- Rated to IP67 protection class



DM-S



Pin	1	2	3	4	5	6	7	8	9
Signal	A-	OV	B-	Shield	Z-	A	+5V	B	Z
Color	Orange	Black	Blue	Shielding	White	Yellow	Red	Green	Brown

